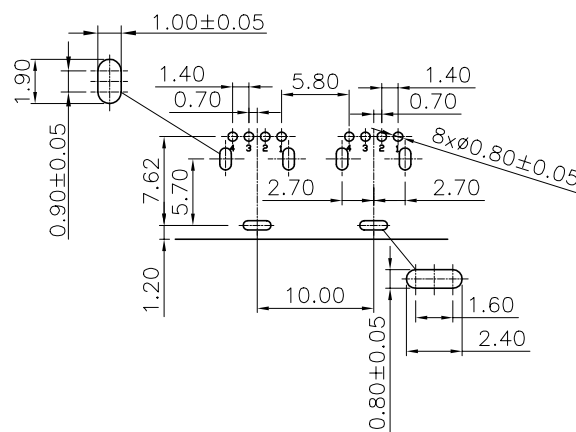


DETAIL "A"  
SCALE (8:1)

Recommended P.C.B Layout(Component Side)



NOTE(I):

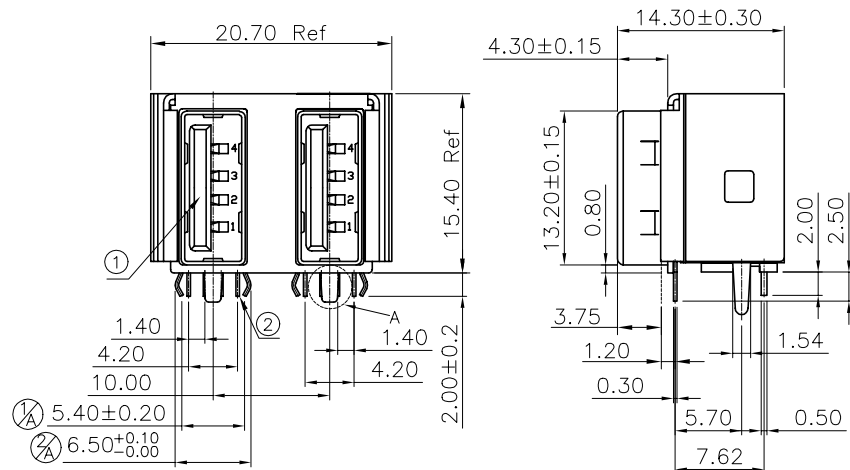
2553A-08□□□-G

- 1.Selective plating  
'G1T,-G5U" select gold in contact/  
Min 100u"tin in solder area
- 'G2T,-Gold flash in contact area/  
Min 100u"tin in solder area
- 'G3T,-10u"select gold in contact/  
Min 100u"tin in solder area
- 'G4T,-15u"select gold in contact/  
Min 100u"tin in solder area
- 'G5T,-30u"select gold in contact/  
Min 100u"tin in solder area

NOTE(II):

1.AK□M2553-08-G

- S=G1T
- U=G2T
- R=G3T
- Q=G4T
- Q=G5T



| NO. | DESCRIPTION | MATERIAL      | COLOR | REMARK   |
|-----|-------------|---------------|-------|----------|
| 5   | SHELL       | COPPER C2680H | —     | TIN      |
| 4   | SHELL       | COPPER C2680H | —     | TIN      |
| 3   | SHELL       | SPCC          | —     | TIN      |
| 2   | TERMINAL    | Pho.Bronze    | —     | GOLD/TIN |
| 1   | HOUSING     | LCP           | BLACK | UL94V-0  |

**SUYIN**  
CONNECTOR

CUSTOMER COPY TITLE: Rear For USB A Series

| ECN (DCN) NO. | REV | DATE     | DESCRIPTION                                     | CHANGE | APPRO. | GENERAL TOLERANCE UNLESS OTHERWISE NOTED | ANGLE | ±2°    | DRAW | 王淑麗      | 01/07/28                   | PART NO.      |      |    |    |  |
|---------------|-----|----------|---|--------|--------|--|-------|--------|------|----------|----------------------------|---------------|------|----|----|--|
|               | A   |          | A1:6.00±0.25->5.40±0.20 A2:6.70±0.15->6.50±0.10 |        |        | 30 ~ ±0.50                               |       | DESIGN | 王淑麗  | 01/07/28 | PART NO. (OLD)             | 2553A-08GXT-G |      |    |    |  |
|               | 0   | 01/08/03 | NEW   |        |        | 10 ~ 30 ±0.30                            |       | CHECK  | 宋權哲  | 01/07/28 | DRAWING NO. <sub>ING</sub> | 2553A-08GXT-G |      |    |    |  |
|               |     |          |   |        |        | ~ 10 ±0.15                               |       | APPRO. | 宋權哲  | 01/07/28 | SCALE                      | 4:1           | UNIT | mm | A4 |  |